

SCREW-COVER, TYPE 1

INDUSTRY STANDARDS

UL 50, 50E Listed; Type 1; File No. E27525
 cUL Listed per CSA C22.2 No 40; Type 1; File No. E27525

NEMA/EEMAC Type 1
 IEC 60529, IP30

APPLICATION

Use this enclosure in commercial and general industrial applications that require a junction or pull box. For flush installations, order flush covers and door frames separately.

FEATURES

- Unique keyhole screw slots in the cover
- Available with or without knockouts. Various sizes of easy-to-remove concentric knockouts on all four sides of standard boxes with knockouts.
- Optional flush-mounted door frame available
- Optional flush covers
- Flat, removable covers fastened with plated steel screws
- Provision for grounding
- Mounting holes on back of box

SPECIFICATIONS

- 16, 14 or 12 gauge steel or plated steel

FINISH

ANSI 61 gray polyester powder paint finish inside and out. Unless otherwise specified, all custom pull boxes are finished with ANSI 61 gray polyester powder paint.

ACCESSORIES

- Flush Covers
- Flush-Mount Door Frames
- Grounding Device
- Type 1 Locking Window Pull Box Accessory
- Touch-Up Paint

BULLETIN: A90P1

Standard Product Screw-Cover Type 1 Pull Boxes with Knockouts

| Catalog Number | AxBxC in. | AxBxC mm | Style | Number of Cover Screws | Knockout Pattern Along "A" Sides | Knockout Pattern Along "B" Sides |
|----------------|----------------------|-----------------|------------|------------------------|----------------------------------|----------------------------------|
| ASE4X4X3 | 4.00 x 4.00 x 3.00 | 102 x 102 x 76 | Painted | 2 | B-C | B-C |
| ASG4X4X3 | 4.00 x 4.00 x 3.00 | 102 x 102 x 76 | Galvanized | 2 | B-C | B-C |
| ASE6X6X3 | 6.00 x 6.00 x 3.00 | 152 x 152 x 76 | Painted | 2 | B-C-D | B-C-D |
| ASG6X6X3 | 6.00 x 6.00 x 3.00 | 152 x 152 x 76 | Galvanized | 2 | B-C-D | B-C-D |
| ASE8X6X3 | 8.00 x 6.00 x 3.00 | 203 x 152 x 76 | Painted | 2 | F-G-H-I | B-C-D |
| ASG8X6X3 | 8.00 x 6.00 x 3.00 | 203 x 152 x 76 | Galvanized | 2 | F-G-H-I | B-C-D |
| ASE16X14X3 | 16.00 x 14.00 x 3.00 | 406 x 356 x 76 | Painted | 4 | B-C-D-E-F-G-H | B-C-D-E-F-G-H |
| ASE18X14X3 | 18.00 x 14.00 x 3.00 | 457 x 356 x 76 | Painted | 4 | A-B-C-D-E-F-G-H-I | B-C-D-E-F-G-H |
| ASE4X4X4 | 4.00 x 4.00 x 4.00 | 102 x 102 x 102 | Painted | 2 | B-C | B-C |
| ASG4X4X4 | 4.00 x 4.00 x 4.00 | 102 x 102 x 102 | Galvanized | 2 | B-C | B-C |
| ASE6X4X4 | 6.00 x 4.00 x 4.00 | 152 x 102 x 102 | Painted | 2 | B-C-D | B-C |
| ASG6X4X4 | 6.00 x 4.00 x 4.00 | 152 x 102 x 102 | Galvanized | 2 | B-C-D | B-C |
| ASE6X6X4 | 6.00 x 6.00 x 4.00 | 152 x 152 x 102 | Painted | 2 | B-C-D | B-C-D |
| ASG6X6X4 | 6.00 x 6.00 x 4.00 | 152 x 152 x 102 | Galvanized | 2 | B-C-D | B-C-D |
| ASE8X6X4 | 8.00 x 6.00 x 4.00 | 203 x 152 x 102 | Painted | 2 | F-G-H-I | B-C-D |
| ASG8X6X4 | 8.00 x 6.00 x 4.00 | 203 x 152 x 102 | Galvanized | 2 | F-G-H-I | B-C-D |
| ASE8X8X4 | 8.00 x 8.00 x 4.00 | 203 x 203 x 102 | Painted | 4 | F-G-H-I | F-G-H-I |
| ASG8X8X4 | 8.00 x 8.00 x 4.00 | 203 x 203 x 102 | Galvanized | 4 | F-G-H-I | F-G-H-I |
| ASE10X8X4 | 10.00 x 8.00 x 4.00 | 254 x 203 x 102 | Painted | 4 | F-G-H-I | F-G-H-I |
| ASG10X8X4 | 10.00 x 8.00 x 4.00 | 254 x 203 x 102 | Galvanized | 4 | F-G-H-I | F-G-H-I |
| ASE10X10X4 | 10.00 x 10.00 x 4.00 | 254 x 254 x 102 | Painted | 4 | F-G-H-I | C-D-E-F-G |
| ASG10X10X4 | 10.00 x 10.00 x 4.00 | 254 x 254 x 102 | Galvanized | 4 | F-G-H-I | C-D-E-F-G |
| ASE12X8X4 | 12.00 x 8.00 x 4.00 | 305 x 203 x 102 | Painted | 4 | C-D-E-F-G | F-G-H-I |
| ASG12X8X4 | 12.00 x 8.00 x 4.00 | 305 x 203 x 102 | Galvanized | 4 | C-D-E-F-G | F-G-H-I |
| ASE12X10X4 | 12.00 x 10.00 x 4.00 | 305 x 254 x 102 | Painted | 4 | C-D-E-F-G | C-D-E-F-G |
| ASG12X10X4 | 12.00 x 10.00 x 4.00 | 305 x 254 x 102 | Galvanized | 4 | C-D-E-F-G | C-D-E-F-G |
| ASE12X12X4 | 12.00 x 12.00 x 4.00 | 305 x 305 x 102 | Painted | 4 | C-D-E-F-G | C-D-E-F-G |
| ASG12X12X4 | 12.00 x 12.00 x 4.00 | 305 x 305 x 102 | Galvanized | 4 | C-D-E-F-G | C-D-E-F-G |
| ASE16X12X4 | 16.00 x 12.00 x 4.00 | 406 x 305 x 102 | Painted | 4 | B-C-D-E-F-G-H | C-D-E-F-G |
| ASG16X12X4 | 16.00 x 12.00 x 4.00 | 406 x 305 x 102 | Galvanized | 4 | B-C-D-E-F-G-H | C-D-E-F-G |
| ASE18X12X4 | 18.00 x 12.00 x 4.00 | 457 x 305 x 102 | Painted | 4 | A-B-C-D-E-F-G-H-I | C-D-E-F-G |
| ASG18X12X4 | 18.00 x 12.00 x 4.00 | 457 x 305 x 102 | Galvanized | 4 | A-B-C-D-E-F-G-H-I | C-D-E-F-G |
| ASE18X18X4 | 18.00 x 18.00 x 4.00 | 457 x 457 x 102 | Painted | 4 | A-B-C-D-E-F-G-H-I | A-B-C-D-E-F-G-H-I |
| ASG18X18X4 | 18.00 x 18.00 x 4.00 | 457 x 457 x 102 | Galvanized | 4 | A-B-C-D-E-F-G-H-I | A-B-C-D-E-F-G-H-I |
| ASE24X12X4 | 24.00 x 12.00 x 4.00 | 610 x 305 x 102 | Painted | 4 | A-B-C-D-E-F-G-H-I | C-D-E-F-G |
| ASG24X12X4 | 24.00 x 12.00 x 4.00 | 610 x 305 x 102 | Galvanized | 4 | A-B-C-D-E-F-G-H-I | C-D-E-F-G |
| ASE24X24X4 | 24.00 x 24.00 x 4.00 | 610 x 610 x 102 | Painted | 4 | A-B-C-D-E-F-G-H-I | A-B-C-D-E-F-G-H-I |
| ASG24X24X4 | 24.00 x 24.00 x 4.00 | 610 x 610 x 102 | Galvanized | 4 | A-B-C-D-E-F-G-H-I | A-B-C-D-E-F-G-H-I |
| ASE30X24X4 | 30.00 x 24.00 x 4.00 | 762 x 610 x 102 | Painted | 6 | A-B-C-D-E-F-G-H-I | A-B-C-D-E-F-G-H-I |

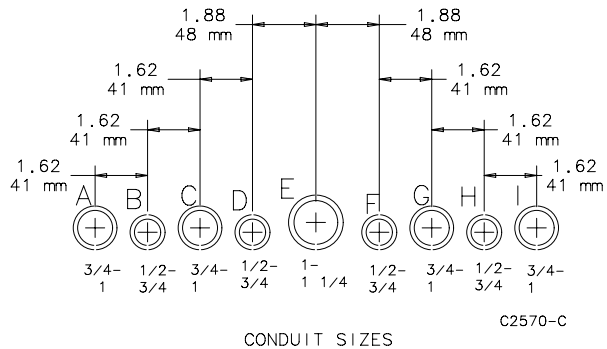
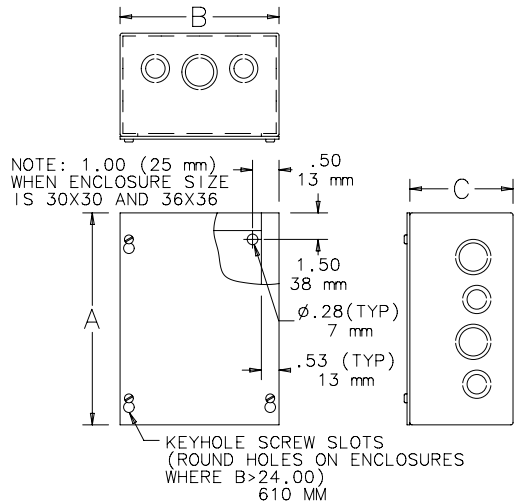
| Catalog Number | AxBxC in. | AxBxC mm | Style | Number of Cover Screws | Knockout Pattern Along "A" Sides | Knockout Pattern Along "B" Sides |
|----------------|-----------------------|-----------------|------------|------------------------|----------------------------------|----------------------------------|
| ASE6X6X6 | 6.00 x 6.00 x 6.00 | 152 x 152 x 152 | Painted | 2 | B-C-D | B-C-D |
| ASG6X6X6 | 6.00 x 6.00 x 6.00 | 152 x 152 x 152 | Galvanized | 2 | B-C-D | B-C-D |
| ASE8X6X6 | 8.00 x 6.00 x 6.00 | 203 x 152 x 152 | Painted | 4 | F-G-H-I | B-C-D |
| ASE8X8X6 | 8.00 x 8.00 x 6.00 | 203 x 203 x 152 | Painted | 4 | F-G-H-I | F-G-H-I |
| ASG8X8X6 | 8.00 x 8.00 x 6.00 | 203 x 203 x 152 | Galvanized | 4 | F-G-H-I | F-G-H-I |
| ASE10X8X6 | 10.00 x 8.00 x 6.00 | 254 x 203 x 152 | Painted | 4 | F-G-H-I | F-G-H-I |
| ASG10X8X6 | 10.00 x 8.00 x 6.00 | 254 x 203 x 152 | Galvanized | 4 | F-G-H-I | F-G-H-I |
| ASE10X10X6 | 10.00 x 10.00 x 6.00 | 254 x 254 x 152 | Painted | 4 | F-G-H-I | C-D-E-F-G |
| ASG10X10X6 | 10.00 x 10.00 x 6.00 | 254 x 254 x 152 | Galvanized | 4 | F-G-H-I | C-D-E-F-G |
| ASE12X10X6 | 12.00 x 10.00 x 6.00 | 305 x 254 x 152 | Painted | 4 | C-D-E-F-G | C-D-E-F-G |
| ASG12X10X6 | 12.00 x 10.00 x 6.00 | 305 x 254 x 152 | Galvanized | 4 | C-D-E-F-G | C-D-E-F-G |
| ASE12X12X6 | 12.00 x 12.00 x 6.00 | 305 x 305 x 152 | Painted | 4 | C-D-E-F-G | C-D-E-F-G |
| ASG12X12X6 | 12.00 x 12.00 x 6.00 | 305 x 305 x 152 | Galvanized | 4 | C-D-E-F-G | C-D-E-F-G |
| ASE16X12X6 | 16.00 x 12.00 x 6.00 | 406 x 305 x 152 | Painted | 4 | B-C-D-E-F-G-H | C-D-E-F-G |
| ASG16X12X6 | 16.00 x 12.00 x 6.00 | 406 x 305 x 152 | Galvanized | 4 | B-C-D-E-F-G-H | C-D-E-F-G |
| ASE16X16X6 | 16.00 x 16.00 x 6.00 | 406 x 406 x 152 | Painted | 4 | B-C-D-E-F-G-H | B-C-D-E-F-G-H |
| ASG16X16X6 | 16.00 x 16.00 x 6.00 | 406 x 406 x 152 | Galvanized | 4 | B-C-D-E-F-G-H | B-C-D-E-F-G-H |
| ASE18X12X6 | 18.00 x 12.00 x 6.00 | 457 x 305 x 152 | Painted | 4 | A-B-C-D-E-F-G-H-I | C-D-E-F-G |
| ASG18X12X6 | 18.00 x 12.00 x 6.00 | 457 x 305 x 152 | Galvanized | 4 | A-B-C-D-E-F-G-H-I | C-D-E-F-G |
| ASE18X18X6 | 18.00 x 18.00 x 6.00 | 457 x 457 x 152 | Painted | 4 | A-B-C-D-E-F-G-H-I | A-B-C-D-E-F-G-H-I |
| ASG18X18X6 | 18.00 x 18.00 x 6.00 | 457 x 457 x 152 | Galvanized | 4 | A-B-C-D-E-F-G-H-I | A-B-C-D-E-F-G-H-I |
| ASE24X18X6 | 24.00 x 18.00 x 6.00 | 610 x 457 x 152 | Painted | 4 | A-B-C-D-E-F-G-H-I | A-B-C-D-E-F-G-H-I |
| ASG24X18X6 | 24.00 x 18.00 x 6.00 | 610 x 457 x 152 | Galvanized | 4 | A-B-C-D-E-F-G-H-I | A-B-C-D-E-F-G-H-I |
| ASE24X24X6 | 24.00 x 24.00 x 6.00 | 610 x 610 x 152 | Painted | 4 | A-B-C-D-E-F-G-H-I | A-B-C-D-E-F-G-H-I |
| ASG24X24X6 | 24.00 x 24.00 x 6.00 | 610 x 610 x 152 | Galvanized | 4 | A-B-C-D-E-F-G-H-I | A-B-C-D-E-F-G-H-I |
| ASE30X24X6 | 30.00 x 24.00 x 6.00 | 762 x 610 x 152 | Painted | 6 | A-B-C-D-E-F-G-H-I | A-B-C-D-E-F-G-H-I |
| ASG30X24X6 | 30.00 x 24.00 x 6.00 | 762 x 610 x 152 | Galvanized | 6 | A-B-C-D-E-F-G-H-I | A-B-C-D-E-F-G-H-I |
| ASE36X24X6 | 36.00 x 24.00 x 6.00 | 914 x 610 x 152 | Painted | 6 | A-B-C-D-E-F-G-H-I | A-B-C-D-E-F-G-H-I |
| ASE8X8X8 | 8.00 x 8.00 x 8.00 | 203 x 203 x 203 | Painted | 4 | F-G-H-I | F-G-H-I |
| ASE12X12X8 | 12.00 x 12.00 x 8.00 | 305 x 305 x 203 | Painted | 4 | C-D-E-F-G | C-D-E-F-G |
| ASG12X12X8 | 12.00 x 12.00 x 8.00 | 305 x 305 x 203 | Galvanized | 4 | C-D-E-F-G | C-D-E-F-G |
| ASE16X12X8 | 16.00 x 12.00 x 8.00 | 406 x 305 x 203 | Painted | 4 | B-C-D-E-F-G-H | C-D-E-F-G |
| ASG16X12X8 | 16.00 x 12.00 x 8.00 | 406 x 305 x 203 | Galvanized | 4 | B-C-D-E-F-G-H | C-D-E-F-G |
| ASE18X12X8 | 18.00 x 12.00 x 8.00 | 457 x 305 x 203 | Painted | 4 | A-B-C-D-E-F-G-H-I | C-D-E-F-G |
| ASG18X12X8 | 18.00 x 12.00 x 8.00 | 457 x 305 x 203 | Galvanized | 4 | A-B-C-D-E-F-G-H-I | C-D-E-F-G |
| ASE24X12X8 | 24.00 x 12.00 x 8.00 | 610 x 305 x 203 | Painted | 4 | A-B-C-D-E-F-G-H-I | C-D-E-F-G |
| ASG24X12X8 | 24.00 x 12.00 x 8.00 | 610 x 305 x 203 | Galvanized | 4 | A-B-C-D-E-F-G-H-I | C-D-E-F-G |
| ASE24X18X8 | 24.00 x 18.00 x 8.00 | 610 x 457 x 203 | Painted | 4 | A-B-C-D-E-F-G-H-I | A-B-C-D-E-F-G-H-I |
| ASG24X18X8 | 24.00 x 18.00 x 8.00 | 610 x 457 x 203 | Galvanized | 4 | A-B-C-D-E-F-G-H-I | A-B-C-D-E-F-G-H-I |
| ASE30X24X8 | 30.00 x 24.00 x 8.00 | 762 x 610 x 203 | Painted | 6 | A-B-C-D-E-F-G-H-I | A-B-C-D-E-F-G-H-I |
| ASG30X24X8 | 30.00 x 24.00 x 8.00 | 762 x 610 x 203 | Galvanized | 6 | A-B-C-D-E-F-G-H-I | A-B-C-D-E-F-G-H-I |
| ASE18X12X10 | 18.00 x 12.00 x 10.00 | 457 x 305 x 254 | Painted | 4 | A-B-C-D-E-F-G-H-I | C-D-E-F-G |
| ASG18X12X10 | 18.00 x 12.00 x 10.00 | 457 x 305 x 254 | Galvanized | 4 | A-B-C-D-E-F-G-H-I | C-D-E-F-G |
| ASE18X18X10 | 18.00 x 18.00 x 10.00 | 457 x 457 x 254 | Painted | 4 | A-B-C-D-E-F-G-H-I | A-B-C-D-E-F-G-H-I |
| ASG18X18X10 | 18.00 x 18.00 x 10.00 | 457 x 457 x 254 | Galvanized | 4 | A-B-C-D-E-F-G-H-I | A-B-C-D-E-F-G-H-I |
| ASE24X24X10 | 24.00 x 24.00 x 10.00 | 610 x 610 x 254 | Painted | 4 | A-B-C-D-E-F-G-H-I | A-B-C-D-E-F-G-H-I |
| ASG24X24X10 | 24.00 x 24.00 x 10.00 | 610 x 610 x 254 | Galvanized | 4 | A-B-C-D-E-F-G-H-I | A-B-C-D-E-F-G-H-I |
| ASE36X24X10 | 36.00 x 24.00 x 10.00 | 914 x 610 x 254 | Painted | 6 | A-B-C-D-E-F-G-H-I | A-B-C-D-E-F-G-H-I |
| ASG36X24X10 | 36.00 x 24.00 x 10.00 | 914 x 610 x 254 | Galvanized | 6 | A-B-C-D-E-F-G-H-I | A-B-C-D-E-F-G-H-I |
| ASE24X12X12 | 24.00 x 12.00 x 12.00 | 610 x 305 x 305 | Painted | 4 | A-B-C-D-E-F-G-H-I | C-D-E-F-G |
| ASG24X12X12 | 24.00 x 12.00 x 12.00 | 610 x 305 x 305 | Galvanized | 4 | A-B-C-D-E-F-G-H-I | C-D-E-F-G |
| ASE18X18X12 | 18.00 x 18.00 x 12.00 | 457 x 457 x 305 | Painted | 4 | A-B-C-D-E-F-G-H-I | A-B-C-D-E-F-G-H-I |
| ASG18X18X12 | 18.00 x 18.00 x 12.00 | 457 x 457 x 305 | Galvanized | 4 | A-B-C-D-E-F-G-H-I | A-B-C-D-E-F-G-H-I |
| ASE24X18X12 | 24.00 x 18.00 x 12.00 | 610 x 457 x 305 | Painted | 4 | A-B-C-D-E-F-G-H-I | A-B-C-D-E-F-G-H-I |
| ASG24X18X12 | 24.00 x 18.00 x 12.00 | 610 x 457 x 305 | Galvanized | 4 | A-B-C-D-E-F-G-H-I | A-B-C-D-E-F-G-H-I |
| ASE30X24X12 | 30.00 x 24.00 x 12.00 | 762 x 610 x 305 | Painted | 6 | A-B-C-D-E-F-G-H-I | A-B-C-D-E-F-G-H-I |
| ASG30X24X12 | 30.00 x 24.00 x 12.00 | 762 x 610 x 305 | Galvanized | 6 | A-B-C-D-E-F-G-H-I | A-B-C-D-E-F-G-H-I |
| ASE36X24X12 | 36.00 x 24.00 x 12.00 | 914 x 610 x 305 | Painted | 6 | A-B-C-D-E-F-G-H-I | A-B-C-D-E-F-G-H-I |
| ASG36X24X12 | 36.00 x 24.00 x 12.00 | 914 x 610 x 305 | Galvanized | 6 | A-B-C-D-E-F-G-H-I | A-B-C-D-E-F-G-H-I |

Standard Product **Screw-Cover Type 1 Pull Boxes without Knockouts**

| Catalog Number | AxBxC in. | AxBxC mm | Style | Number of Cover Screws |
|----------------|----------------------|-----------------|------------|------------------------|
| ASE4X4X3NK | 4.00 x 4.00 x 3.00 | 102 x 102 x 76 | Painted | 2 |
| ASG4X4X3NK | 4.00 x 4.00 x 3.00 | 102 x 102 x 76 | Galvanized | 2 |
| ASE6X6X3NK | 6.00 x 6.00 x 3.00 | 152 x 152 x 76 | Painted | 2 |
| ASG6X6X3NK | 6.00 x 6.00 x 3.00 | 152 x 152 x 76 | Galvanized | 2 |
| ASE8X6X3NK | 8.00 x 6.00 x 3.00 | 203 x 152 x 76 | Painted | 2 |
| ASG8X6X3NK | 8.00 x 6.00 x 3.00 | 203 x 152 x 76 | Galvanized | 2 |
| ASE16X14X3NK | 16.00 x 14.00 x 3.00 | 406 x 356 x 76 | Painted | 4 |
| ASE20X14X3NK | 20.00 x 14.00 x 3.00 | 508 x 356 x 76 | Painted | 4 |
| ASE4X4X4NK | 4.00 x 4.00 x 4.00 | 102 x 102 x 102 | Painted | 2 |
| ASG4X4X4NK | 4.00 x 4.00 x 4.00 | 102 x 102 x 102 | Galvanized | 2 |
| ASE6X6X4NK | 6.00 x 4.00 x 4.00 | 152 x 102 x 102 | Painted | 2 |
| ASG6X6X4NK | 6.00 x 4.00 x 4.00 | 152 x 102 x 102 | Galvanized | 2 |
| ASE6X6X4NK | 6.00 x 6.00 x 4.00 | 152 x 152 x 102 | Painted | 2 |
| ASG6X6X4NK | 6.00 x 6.00 x 4.00 | 152 x 152 x 102 | Galvanized | 2 |
| ASE8X6X4NK | 8.00 x 6.00 x 4.00 | 203 x 152 x 102 | Painted | 2 |
| ASG8X6X4NK | 8.00 x 6.00 x 4.00 | 203 x 152 x 102 | Galvanized | 2 |
| ASE8X8X4NK | 8.00 x 8.00 x 4.00 | 203 x 203 x 102 | Painted | 4 |
| ASG8X8X4NK | 8.00 x 8.00 x 4.00 | 203 x 203 x 102 | Galvanized | 4 |
| ASE10X6X4NK | 10.00 x 6.00 x 4.00 | 254 x 152 x 102 | Painted | 4 |
| ASG10X6X4NK | 10.00 x 6.00 x 4.00 | 254 x 152 x 102 | Galvanized | 4 |
| ASE10X8X4NK | 10.00 x 8.00 x 4.00 | 254 x 203 x 102 | Painted | 4 |
| ASG10X8X4NK | 10.00 x 8.00 x 4.00 | 254 x 203 x 102 | Galvanized | 4 |
| ASE10X10X4NK | 10.00 x 10.00 x 4.00 | 254 x 254 x 102 | Painted | 4 |
| ASG10X10X4NK | 10.00 x 10.00 x 4.00 | 254 x 254 x 102 | Galvanized | 4 |
| ASE12X6X4NK | 12.00 x 6.00 x 4.00 | 305 x 152 x 102 | Painted | 4 |
| ASG12X6X4NK | 12.00 x 6.00 x 4.00 | 305 x 152 x 102 | Galvanized | 4 |

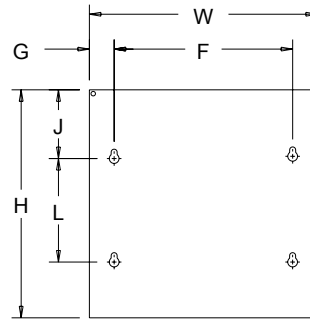
| Catalog Number | AxBxC in. | AxBxC mm | Style | Number of Cover Screws |
|----------------|----------------------|-----------------|------------|------------------------|
| ASE12X8X4NK | 12.00 x 8.00 x 4.00 | 305 x 203 x 102 | Painted | 4 |
| ASG12X8X4NK | 12.00 x 8.00 x 4.00 | 305 x 203 x 102 | Galvanized | 4 |
| ASE12X10X4NK | 12.00 x 10.00 x 4.00 | 305 x 254 x 102 | Painted | 4 |
| ASG12X10X4NK | 12.00 x 10.00 x 4.00 | 305 x 254 x 102 | Galvanized | 4 |
| ASE12X12X4NK | 12.00 x 12.00 x 4.00 | 305 x 305 x 102 | Painted | 4 |
| ASG12X12X4NK | 12.00 x 12.00 x 4.00 | 305 x 305 x 102 | Galvanized | 4 |
| ASE15X15X4NK | 15.00 x 15.00 x 4.00 | 381 x 381 x 102 | Painted | 4 |
| ASG15X15X4NK | 15.00 x 15.00 x 4.00 | 381 x 381 x 102 | Galvanized | 4 |
| ASE16X12X4NK | 16.00 x 12.00 x 4.00 | 406 x 305 x 102 | Painted | 4 |
| ASG16X12X4NK | 16.00 x 12.00 x 4.00 | 406 x 305 x 102 | Galvanized | 4 |
| ASE18X12X4NK | 18.00 x 12.00 x 4.00 | 457 x 305 x 102 | Painted | 4 |
| ASG18X12X4NK | 18.00 x 12.00 x 4.00 | 457 x 305 x 102 | Galvanized | 4 |
| ASE18X15X4NK | 18.00 x 15.00 x 4.00 | 457 x 381 x 102 | Painted | 4 |
| ASE18X18X4NK | 18.00 x 18.00 x 4.00 | 457 x 457 x 102 | Painted | 4 |
| ASG18X18X4NK | 18.00 x 18.00 x 4.00 | 457 x 457 x 102 | Galvanized | 4 |
| ASE24X12X4NK | 24.00 x 12.00 x 4.00 | 610 x 305 x 102 | Painted | 4 |
| ASE24X18X4NK | 24.00 x 18.00 x 4.00 | 610 x 457 x 102 | Painted | 4 |
| ASG24X18X4NK | 24.00 x 18.00 x 4.00 | 610 x 457 x 102 | Galvanized | 4 |
| ASE24X24X4NK | 24.00 x 24.00 x 4.00 | 610 x 610 x 102 | Painted | 4 |
| ASG24X24X4NK | 24.00 x 24.00 x 4.00 | 610 x 610 x 102 | Galvanized | 4 |
| ASE30X24X4NK | 30.00 x 24.00 x 4.00 | 762 x 610 x 102 | Painted | 6 |
| ASE30X30X4NK | 30.00 x 30.00 x 4.00 | 762 x 762 x 102 | Painted | 8 |
| ASE6X6X6NK | 6.00 x 6.00 x 6.00 | 152 x 152 x 152 | Painted | 2 |
| ASG6X6X6NK | 6.00 x 6.00 x 6.00 | 152 x 152 x 152 | Galvanized | 2 |
| ASE8X6X6NK | 8.00 x 6.00 x 6.00 | 203 x 152 x 152 | Painted | 2 |
| ASG8X6X6NK | 8.00 x 6.00 x 6.00 | 203 x 152 x 152 | Galvanized | 2 |
| ASE8X8X6NK | 8.00 x 8.00 x 6.00 | 203 x 203 x 152 | Painted | 4 |
| ASG8X8X6NK | 8.00 x 8.00 x 6.00 | 203 x 203 x 152 | Galvanized | 4 |
| ASE10X8X6NK | 10.00 x 8.00 x 6.00 | 254 x 203 x 152 | Painted | 4 |
| ASG10X8X6NK | 10.00 x 8.00 x 6.00 | 254 x 203 x 152 | Galvanized | 4 |
| ASE10X10X6NK | 10.00 x 10.00 x 6.00 | 254 x 254 x 152 | Painted | 4 |
| ASG10X10X6NK | 10.00 x 10.00 x 6.00 | 254 x 254 x 152 | Galvanized | 4 |
| ASE12X6X6NK | 12.00 x 6.00 x 6.00 | 305 x 152 x 152 | Painted | 4 |
| ASE12X8X6NK | 12.00 x 8.00 x 6.00 | 305 x 203 x 152 | Painted | 4 |
| ASG12X8X6NK | 12.00 x 8.00 x 6.00 | 305 x 203 x 152 | Galvanized | 4 |
| ASE12X10X6NK | 12.00 x 10.00 x 6.00 | 305 x 254 x 152 | Painted | 4 |
| ASG12X10X6NK | 12.00 x 10.00 x 6.00 | 305 x 254 x 152 | Galvanized | 4 |
| ASE12X12X6NK | 12.00 x 12.00 x 6.00 | 305 x 305 x 152 | Painted | 4 |
| ASG12X12X6NK | 12.00 x 12.00 x 6.00 | 305 x 305 x 152 | Galvanized | 4 |
| ASE16X12X6NK | 16.00 x 12.00 x 6.00 | 406 x 305 x 152 | Painted | 4 |
| ASG16X12X6NK | 16.00 x 12.00 x 6.00 | 406 x 305 x 152 | Galvanized | 4 |
| ASE16X16X6NK | 16.00 x 16.00 x 6.00 | 406 x 406 x 152 | Painted | 4 |
| ASG16X16X6NK | 16.00 x 16.00 x 6.00 | 406 x 406 x 152 | Galvanized | 4 |
| ASE18X12X6NK | 18.00 x 12.00 x 6.00 | 457 x 305 x 152 | Painted | 4 |
| ASG18X12X6NK | 18.00 x 12.00 x 6.00 | 457 x 305 x 152 | Galvanized | 4 |
| ASE18X18X6NK | 18.00 x 18.00 x 6.00 | 457 x 457 x 152 | Painted | 4 |
| ASG18X18X6NK | 18.00 x 18.00 x 6.00 | 457 x 457 x 152 | Galvanized | 4 |
| ASE24X12X6NK | 24.00 x 12.00 x 6.00 | 610 x 305 x 152 | Painted | 4 |
| ASG24X12X6NK | 24.00 x 12.00 x 6.00 | 610 x 305 x 152 | Galvanized | 4 |
| ASE24X18X6NK | 24.00 x 18.00 x 6.00 | 610 x 457 x 152 | Painted | 4 |
| ASG24X18X6NK | 24.00 x 18.00 x 6.00 | 610 x 457 x 152 | Galvanized | 4 |
| ASE24X20X6NK | 24.00 x 20.00 x 6.00 | 610 x 508 x 152 | Painted | 4 |
| ASG24X20X6NK | 24.00 x 20.00 x 6.00 | 610 x 508 x 152 | Galvanized | 4 |
| ASE24X24X6NK | 24.00 x 24.00 x 6.00 | 610 x 610 x 152 | Painted | 4 |
| ASG24X24X6NK | 24.00 x 24.00 x 6.00 | 610 x 610 x 152 | Galvanized | 4 |
| ASE30X24X6NK | 30.00 x 24.00 x 6.00 | 762 x 610 x 152 | Painted | 6 |
| ASG30X24X6NK | 30.00 x 24.00 x 6.00 | 762 x 610 x 152 | Galvanized | 6 |
| ASE30X30X6NK | 30.00 x 30.00 x 6.00 | 762 x 762 x 152 | Painted | 8 |
| ASG30X30X6NK | 30.00 x 30.00 x 6.00 | 762 x 762 x 152 | Galvanized | 8 |
| ASE36X24X6NK | 36.00 x 24.00 x 6.00 | 914 x 610 x 152 | Painted | 6 |
| ASG36X24X6NK | 36.00 x 24.00 x 6.00 | 914 x 610 x 152 | Galvanized | 6 |
| ASE36X30X6NK | 36.00 x 30.00 x 6.00 | 914 x 762 x 152 | Painted | 8 |
| ASG36X30X6NK | 36.00 x 30.00 x 6.00 | 914 x 762 x 152 | Galvanized | 8 |
| ASE36X36X6NK | 36.00 x 36.00 x 6.00 | 914 x 914 x 152 | Painted | 8 |
| ASG36X36X6NK | 36.00 x 36.00 x 6.00 | 914 x 914 x 152 | Galvanized | 8 |
| ASE8X8X8NK | 8.00 x 8.00 x 8.00 | 203 x 203 x 203 | Painted | 4 |
| ASG8X8X8NK | 8.00 x 8.00 x 8.00 | 203 x 203 x 203 | Galvanized | 4 |
| ASE10X10X8NK | 10.00 x 10.00 x 8.00 | 254 x 254 x 203 | Painted | 4 |
| ASG10X10X8NK | 10.00 x 10.00 x 8.00 | 254 x 254 x 203 | Galvanized | 4 |
| ASE12X10X8NK | 12.00 x 10.00 x 8.00 | 305 x 254 x 203 | Painted | 4 |
| ASG12X10X8NK | 12.00 x 10.00 x 8.00 | 305 x 254 x 203 | Galvanized | 4 |
| ASE12X12X8NK | 12.00 x 12.00 x 8.00 | 305 x 305 x 203 | Painted | 4 |
| ASG12X12X8NK | 12.00 x 12.00 x 8.00 | 305 x 305 x 203 | Galvanized | 4 |
| ASE16X12X8NK | 16.00 x 12.00 x 8.00 | 406 x 305 x 203 | Painted | 4 |
| ASG16X12X8NK | 16.00 x 12.00 x 8.00 | 406 x 305 x 203 | Galvanized | 4 |
| ASE18X12X8NK | 18.00 x 12.00 x 8.00 | 457 x 305 x 203 | Painted | 4 |
| ASG18X12X8NK | 18.00 x 12.00 x 8.00 | 457 x 305 x 203 | Galvanized | 4 |
| ASE18X18X8NK | 18.00 x 18.00 x 8.00 | 457 x 457 x 203 | Painted | 4 |
| ASG18X18X8NK | 18.00 x 18.00 x 8.00 | 457 x 457 x 203 | Galvanized | 4 |
| ASE24X12X8NK | 24.00 x 12.00 x 8.00 | 610 x 305 x 203 | Painted | 4 |
| ASG24X12X8NK | 24.00 x 12.00 x 8.00 | 610 x 305 x 203 | Galvanized | 4 |

| Catalog Number | AxBxC in. | AxBxC mm | Style | Number of Cover Screws |
|----------------|-----------------------|-------------------|------------|------------------------|
| ASE24X18X8NK | 24.00 x 18.00 x 8.00 | 610 x 457 x 203 | Painted | 4 |
| ASG24X18X8NK | 24.00 x 18.00 x 8.00 | 610 x 457 x 203 | Galvanized | 4 |
| ASE24X20X8NK | 24.00 x 20.00 x 8.00 | 610 x 508 x 203 | Painted | 4 |
| ASG24X20X8NK | 24.00 x 20.00 x 8.00 | 610 x 508 x 203 | Galvanized | 4 |
| ASE24X24X8NK | 24.00 x 24.00 x 8.00 | 610 x 610 x 203 | Painted | 4 |
| ASG24X24X8NK | 24.00 x 24.00 x 8.00 | 610 x 610 x 203 | Galvanized | 4 |
| ASE30X24X8NK | 30.00 x 24.00 x 8.00 | 762 x 610 x 203 | Painted | 6 |
| ASG30X24X8NK | 30.00 x 24.00 x 8.00 | 762 x 610 x 203 | Galvanized | 6 |
| ASE30X30X8NK | 30.00 x 30.00 x 8.00 | 762 x 762 x 203 | Painted | 8 |
| ASG30X30X8NK | 30.00 x 30.00 x 8.00 | 762 x 762 x 203 | Galvanized | 8 |
| ASE36X24X8NK | 36.00 x 24.00 x 8.00 | 914 x 610 x 203 | Painted | 6 |
| ASG36X24X8NK | 36.00 x 24.00 x 8.00 | 914 x 610 x 203 | Galvanized | 6 |
| ASE36X36X8NK | 36.00 x 36.00 x 8.00 | 914 x 914 x 203 | Painted | 8 |
| ASG36X36X8NK | 36.00 x 36.00 x 8.00 | 914 x 914 x 203 | Galvanized | 8 |
| ASE12X12X10NK | 12.00 x 12.00 x 10.00 | 305 x 305 x 254 | Painted | 4 |
| ASG12X12X10NK | 12.00 x 12.00 x 10.00 | 305 x 305 x 254 | Galvanized | 4 |
| ASE18X12X10NK | 18.00 x 12.00 x 10.00 | 457 x 305 x 254 | Painted | 4 |
| ASG18X12X10NK | 18.00 x 12.00 x 10.00 | 457 x 305 x 254 | Galvanized | 4 |
| ASE18X18X10NK | 18.00 x 18.00 x 10.00 | 457 x 457 x 254 | Painted | 4 |
| ASG18X18X10NK | 18.00 x 18.00 x 10.00 | 457 x 457 x 254 | Galvanized | 4 |
| ASE24X12X10NK | 24.00 x 12.00 x 10.00 | 610 x 305 x 254 | Painted | 4 |
| ASG24X12X10NK | 24.00 x 12.00 x 10.00 | 610 x 305 x 254 | Galvanized | 4 |
| ASE24X18X10NK | 24.00 x 18.00 x 10.00 | 610 x 457 x 254 | Painted | 4 |
| ASG24X18X10NK | 24.00 x 18.00 x 10.00 | 610 x 457 x 254 | Galvanized | 4 |
| ASE24X24X10NK | 24.00 x 24.00 x 10.00 | 610 x 610 x 254 | Painted | 4 |
| ASG24X24X10NK | 24.00 x 24.00 x 10.00 | 610 x 610 x 254 | Galvanized | 4 |
| ASE30X24X10NK | 30.00 x 24.00 x 10.00 | 762 x 610 x 254 | Painted | 6 |
| ASG30X24X10NK | 30.00 x 24.00 x 10.00 | 762 x 610 x 254 | Galvanized | 6 |
| ASE30X30X10NK | 30.00 x 30.00 x 10.00 | 762 x 762 x 254 | Painted | 8 |
| ASG30X30X10NK | 30.00 x 30.00 x 10.00 | 762 x 762 x 254 | Galvanized | 8 |
| ASE36X24X10NK | 36.00 x 24.00 x 10.00 | 914 x 610 x 254 | Painted | 6 |
| ASG36X24X10NK | 36.00 x 24.00 x 10.00 | 914 x 610 x 254 | Galvanized | 6 |
| ASE36X36X10NK | 36.00 x 36.00 x 10.00 | 914 x 914 x 254 | Painted | 8 |
| ASG36X36X10NK | 36.00 x 36.00 x 10.00 | 914 x 914 x 254 | Galvanized | 8 |
| ASE12X12X12NK | 12.00 x 12.00 x 12.00 | 305 x 305 x 305 | Painted | 4 |
| ASG12X12X12NK | 12.00 x 12.00 x 12.00 | 305 x 305 x 305 | Galvanized | 4 |
| ASE24X12X12NK | 24.00 x 12.00 x 12.00 | 610 x 305 x 305 | Painted | 4 |
| ASG24X12X12NK | 24.00 x 12.00 x 12.00 | 610 x 305 x 305 | Galvanized | 4 |
| ASE18X18X12NK | 18.00 x 18.00 x 12.00 | 457 x 457 x 305 | Painted | 4 |
| ASG18X18X12NK | 18.00 x 18.00 x 12.00 | 457 x 457 x 305 | Galvanized | 4 |
| ASE24X18X12NK | 24.00 x 18.00 x 12.00 | 610 x 457 x 305 | Painted | 4 |
| ASG24X18X12NK | 24.00 x 18.00 x 12.00 | 610 x 457 x 305 | Galvanized | 4 |
| ASE24X24X12NK | 24.00 x 24.00 x 12.00 | 610 x 610 x 305 | Painted | 4 |
| ASG24X24X12NK | 24.00 x 24.00 x 12.00 | 610 x 610 x 305 | Galvanized | 4 |
| ASE30X24X12NK | 30.00 x 24.00 x 12.00 | 762 x 610 x 305 | Painted | 6 |
| ASG30X24X12NK | 30.00 x 24.00 x 12.00 | 762 x 610 x 305 | Galvanized | 6 |
| ASE30X30X12NK | 30.00 x 30.00 x 12.00 | 762 x 762 x 305 | Painted | 8 |
| ASG30X30X12NK | 30.00 x 30.00 x 12.00 | 762 x 762 x 305 | Galvanized | 8 |
| ASE36X24X12NK | 36.00 x 24.00 x 12.00 | 914 x 610 x 305 | Painted | 6 |
| ASG36X24X12NK | 36.00 x 24.00 x 12.00 | 914 x 610 x 305 | Galvanized | 6 |
| ASE36X36X12NK | 36.00 x 36.00 x 12.00 | 914 x 914 x 305 | Painted | 8 |
| ASG36X36X12NK | 36.00 x 36.00 x 12.00 | 914 x 914 x 305 | Galvanized | 8 |
| ASE48X48X12NK | 48.00 x 48.00 x 12.00 | 1219 x 1219 x 305 | Painted | 12 |
| ASG48X48X12NK | 48.00 x 48.00 x 12.00 | 1219 x 1219 x 305 | Galvanized | 12 |
| ASE30X30X16NK | 30.00 x 30.00 x 16.00 | 762 x 762 x 406 | Painted | 8 |
| ASG30X30X16NK | 30.00 x 30.00 x 16.00 | 762 x 762 x 406 | Galvanized | 8 |
| ASE36X36X16NK | 36.00 x 36.00 x 16.00 | 914 x 914 x 406 | Painted | 8 |
| ASG36X36X16NK | 36.00 x 36.00 x 16.00 | 914 x 914 x 406 | Galvanized | 8 |
| ASE48X48X16NK | 48.00 x 48.00 x 16.00 | 1219 x 1219 x 406 | Painted | 12 |
| ASG48X48X16NK | 48.00 x 48.00 x 16.00 | 1219 x 1219 x 406 | Galvanized | 12 |



FLUSH COVERS


Designed to mount on enclosure for flush installations. Cover is 16 or 14 gauge steel finished with ANSI 61 gray polyester powder paint.

BULLETIN: A90P1


87948556

Standard Product

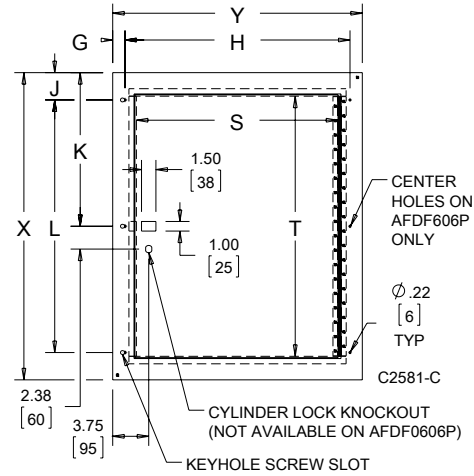
| Catalog Number | H in./mm | W in./mm | Fits Box Size A x B in./mm | F in./mm | G in./mm | J in./mm | L in./mm | Cover Gauge |
|----------------|-------------|-------------|-------------------------------|-------------|-------------|-------------|-------------|----------------|
| AFE6X6 | 7.50 | 7.50 | 6.00 x 6.00 | 5.44 | 1.03 | 3.75 | — | 16 |
| | 191 | 191 | 152 x 152 | 138 | 26 | 95 | — | |
| AFE8X6 | 9.50 | 7.50 | 8.00 x 6.00 | 5.44 | 1.03 | 4.75 | — | 16 |
| | 241 | 191 | 203 x 152 | 138 | 26 | 121 | — | |
| AFE8X8 | 9.50 | 9.50 | 8.00 x 8.00 | 7.44 | 1.03 | 2.77 | 4.31 | 16 |
| | 241 | 241 | 203 x 203 | 189 | 26 | 70 | 109 | |
| AFE10X8 | 11.50 | 9.50 | 10.00 x 8.00 | 7.44 | 1.03 | 2.77 | 6.31 | 16 |
| | 292 | 241 | 254 x 203 | 189 | 26 | 70 | 160 | |
| AFE10X10 | 11.50 | 11.50 | 10.00 x 10.00 | 9.44 | 1.03 | 2.77 | 6.31 | 16 |
| | 292 | 292 | 254 x 254 | 240 | 26 | 70 | 160 | |
| AFE12X8 | 13.50 | 9.50 | 12.00 x 8.00 | 7.44 | 1.03 | 2.77 | 8.31 | 16 |
| | 343 | 241 | 305 x 203 | 189 | 26 | 70 | 211 | |
| AFE12X12 | 13.50 | 13.50 | 12.00 x 12.00 | 11.44 | 1.03 | 2.77 | 8.31 | 16 |
| | 343 | 343 | 305 x 305 | 291 | 26 | 70 | 211 | |
| AFE18X12 | 19.50 | 13.50 | 18.00 x 12.00 | 11.44 | 1.03 | 2.77 | 14.31 | 16 |
| | 495 | 343 | 457 x 305 | 291 | 26 | 70 | 363 | |
| AFE18X18 | 19.50 | 19.50 | 18.00 x 18.00 | 17.44 | 1.03 | 2.77 | 14.31 | 16 |
| | 495 | 495 | 457 x 457 | 443 | 26 | 70 | 363 | |
| AFE24X18 | 25.50 | 19.50 | 24.00 x 18.00 | 17.41 | 1.05 | 2.77 | 20.31 | 14 |
| | 648 | 495 | 610 x 457 | 442 | 27 | 70 | 516 | |
| AFE24X24 | 25.50 | 25.50 | 24.00 x 24.00 | 23.41 | 1.05 | 2.77 | 20.31 | 14 |
| | 648 | 648 | 610 x 610 | 595 | 27 | 70 | 516 | |

FLUSH-MOUNT DOOR FRAMES



- Continuous hinge
- Rugged black composite slide latch
- Optional tamper-resistant lock kit includes cylinder lock, tamper-resistant screws and special driver bit.
- Lock Kit: ACLDFD
- 14 gauge steel door frame has ANSI 61 gray polyester powder paint finish

BULLETIN: A90P1



Use in Screw-Cover Pull Box telephone cabinet installations or in communication wiring and signal systems. Also as a junction or pull box and switch enclosure.

Standard Product

| Catalog Number | Frame Size X x Y in./mm | Door Size T in./mm | Door Size S in./mm | Fits Box Size A x B in./mm | G in./mm | H in./mm | J in./mm | K in./mm | L in./mm |
|----------------|-------------------------------|--------------------------|--------------------------|----------------------------------|-------------|--------------|-------------|--------------|--------------|
| AFDF0606P | 8.00 x 8.00 203 x 203 | 3.00 76 | 3.00 76 | 6.00 x 6.00 152 x 152 | 1.28 32 | 5.44 138 | N/A N/A | 4.00 102 | N/A N/A |
| AFDF1212P | 14.00 x 14.00 356 x 356 | 9.00 229 | 9.00 229 | 12.00 x 12.00 305 x 305 | 1.28 32 | 11.44 291 | 2.84 72 | 7.00 178 | 8.31 211 |
| AFDF1812P | 20.00 x 14.00 508 x 356 | 15.00 381 | 9.00 229 | 18.00 x 12.00 457 x 305 | 1.28 32 | 11.44 291 | 2.84 72 | 10.00 254 | 14.31 364 |
| AFDF1818P | 20.00 x 20.00 508 x 508 | 15.00 381 | 15.00 381 | 18.00 x 18.00 457 x 457 | 1.28 32 | 17.44 443 | 2.84 72 | 10.00 254 | 14.31 364 |
| AFDF2418P | 26.00 x 20.00 660 x 508 | 21.00 533 | 15.00 381 | 24.00 x 18.00 610 x 457 | 1.28 32 | 17.44 443 | 2.84 72 | 13.00 330 | 20.31 516 |
| AFDF2424P | 26.00 x 26.00 660 x 660 | 21.00 533 | 21.00 533 | 24.00 x 24.00 610 x 610 | 1.30 33 | 23.41 595 | 2.84 72 | 13.00 330 | 20.31 516 |
| AFDF3024P | 32.00 x 26.00 813 x 660 | 27.00 686 | 21.00 533 | 30.00 x 24.00 762 x 610 | 1.30 33 | 23.41 595 | 2.84 72 | 16.00 406 | 26.31 668 |

TYPE 1 LOCKING WINDOW PULL BOX ACCESSORY

Flush- or surface-mount accessory fits Screw Cover, Type 1, boxes to prevent public access to lighting switches and controls. Includes a removable aluminum dead-front mounting surface for component cutouts and four torx-head screws for securing to enclosure.

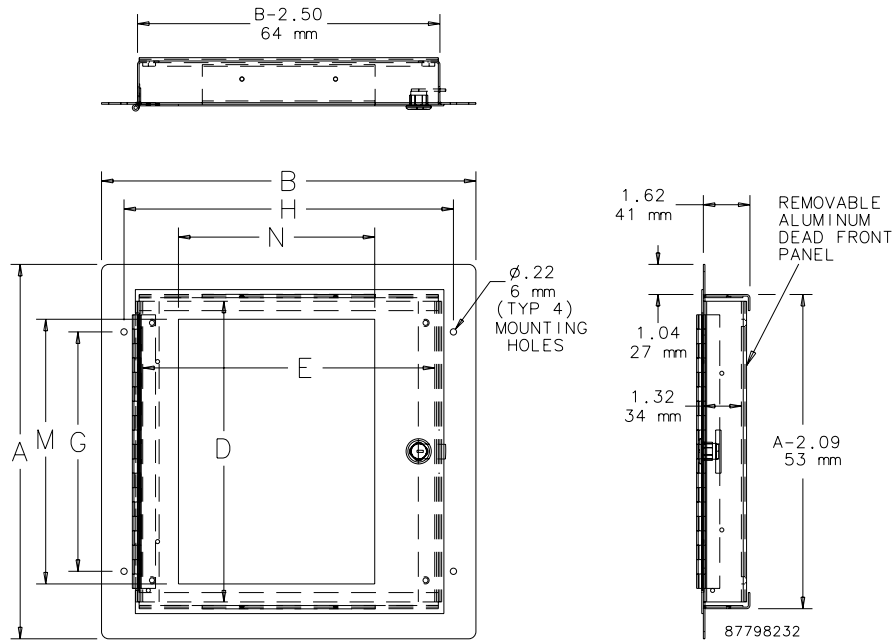
BULLETIN: A90P1



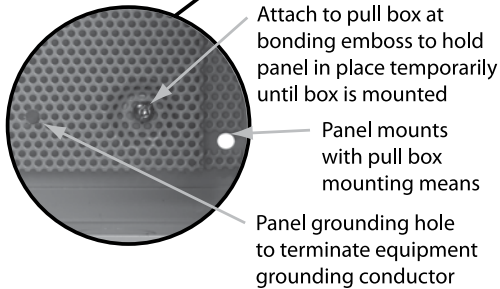
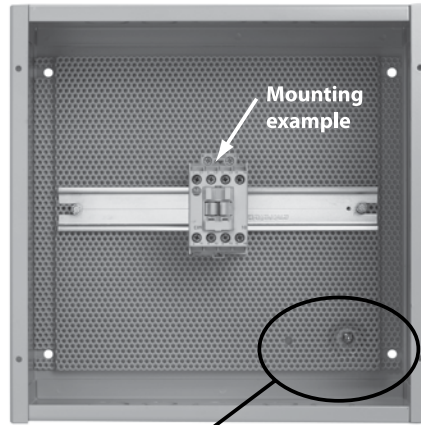
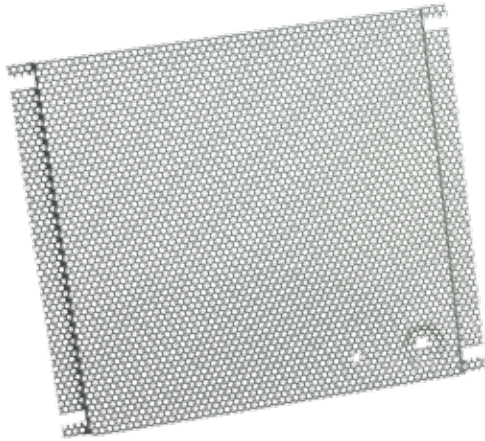
Standard Product

| Catalog Number | AxB in./mm | Dead Front Panel Size D x E in./mm | Mounting Holes G x H in./mm | Window Size M x N in./mm | Fits Pull Boxes with A x B dimensions of in./mm |
|----------------|----------------------------|------------------------------------|-----------------------------|---------------------------|-------------------------------------------------|
| ALDF88W | 9.00 x 9.00 229 x 293 | 6.00 x 6.14 152 x 99 | 4.31 x 7.44 109 x 189 | 6.25 x 3.88 164 x 156 | 8X8 203 x 203 |
| ALDF1212W | 13.00 x 13.00 330 x 330 | 10.00 x 10.14 254 x 200 | 8.31 x 11.44 211 x 291 | 10.25 x 7.88 265 x 258 | 12X12 305 x 305 |

A x B = Frame Size



TYPE 1 PULL BOX PERFORATED PANEL



Attach to pull box at bonding emboss to hold panel in place temporarily until box is mounted

Panel mounts with pull box mounting means

Panel grounding hole to terminate equipment grounding conductor

Panel is formed to provide 7/16-in. space off back of pull box for component mounting screw clearance and includes a grounding hole to terminate equipment grounding conductors. Ideal for mounting components that require infrequent access such as control transformers, terminals and contactors.

BULLETIN: PNL P

Standard Product

| Catalog Number | Panel Gauge | Panel Size D x E (in.) | Panel Size D x E (mm) | Fits Pull Box |
|----------------|-------------|------------------------|-----------------------|---------------|
| PB66PP | 16 | 4.40 x 5.50 | 112 x 140 | ASE6X6X |
| PB88PP | 16 | 6.40 x 7.50 | 163 x 191 | ASE8X8X |
| PB1212PP | 16 | 10.40 x 11.50 | 264 x 292 | ASE12X12X |
| PB1818PP | 16 | 16.40 x 17.50 | 417 x 445 | ASE18X18X |
| PB2424PP | 16 | 22.40 x 23.50 | 569 x 597 | ASE24X24X |

PB1818PP and PB2424PP are flanged on all four sides.

