

**120**mm sq.

# San Ace 120



## General Specifications

- Material ..... Frame: Plastics (Flammability: UL94V-0),  
Impeller: Plastics (Flammability: UL94V-1)
- Expected Life ..... Refer to specifications (L10:Survival rate:90% at 60°C ,  
rated voltage, and continuously run in a free air state)
- Lead Wire ..... Inlet ⊕red ⊖black (Sensor) yellow (Control) brown  
Outlet ⊕orange ⊖gray (Sensor) purple (Control) white
- Storage Temperature ..... -30°C to +70°C (Non-condensing)

**120×120×76mm** (Mass : 670g) **9CR type**

## Specifications

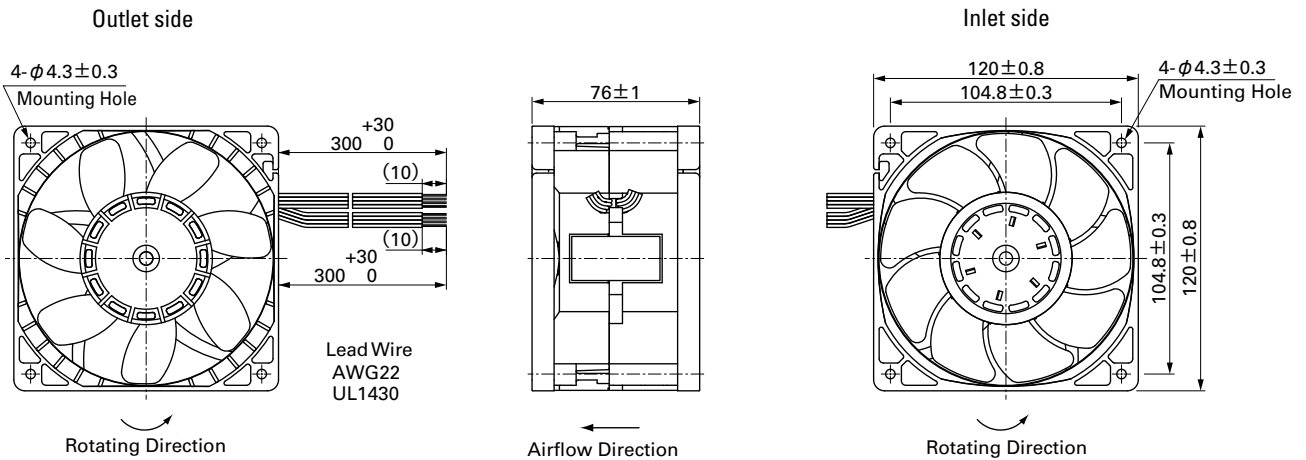
The following nos. **have PWM controls and pulse sensors.**

Model No.	Rated Voltage [V]	Operating Voltage Range [V]	PWM duty cycle* [%]		Rated Current [A]	Rated Input [W]	Rated Speed [min <sup>-1</sup> ]		Max. Airflow [m <sup>3</sup> /min] [CFM]		Max. Static Pressure [Pa] [inchtH <sub>2</sub> O]		SPL [dB(A)]	Operating Temperature [°C]	Expected Life [h]
			100	0			Inlet	Outlet	8.5	300	480	1.93			
<b>9CR1212P0G03</b>	12	10.8 to 13.2	100	7.2	86.4	6,200	3,800	8.5	300	480	1.93	70	-20 to +60	40,000/60°C	
			0	1.1	13.2	2,700	1,800	3.8	134	95	0.38	51			

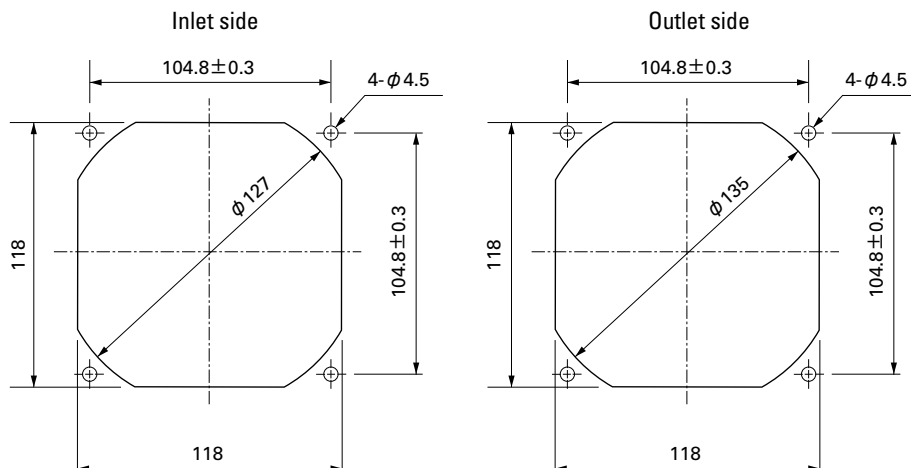
\*PWM Frequency : 25kHz

Other sensor specifications are available as options. Please refer to the index (p. 501).

## Dimensions (unit: mm)



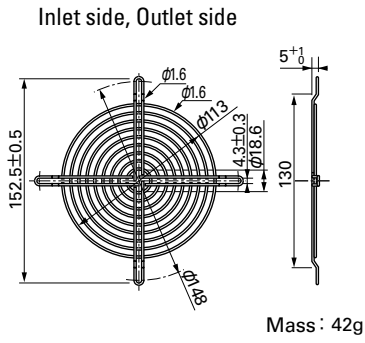
## Reference Dimensions of Mounting Holes and Vent Opening (unit: mm)



**Options (unit: mm)**

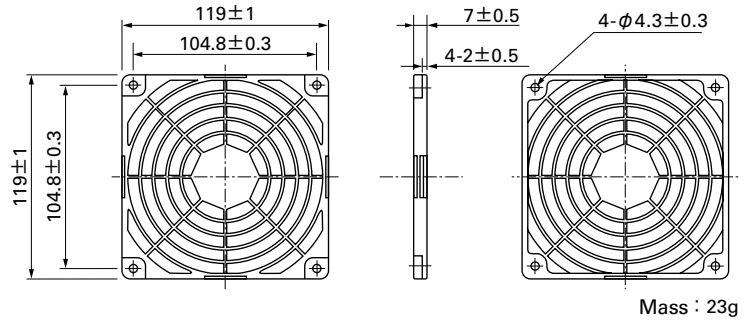
**Finger Guards**

Model : 109-019E Surface treatment : Nickel-chrome plating (silver)  
 : 109-019K : Cation electropainting (black)



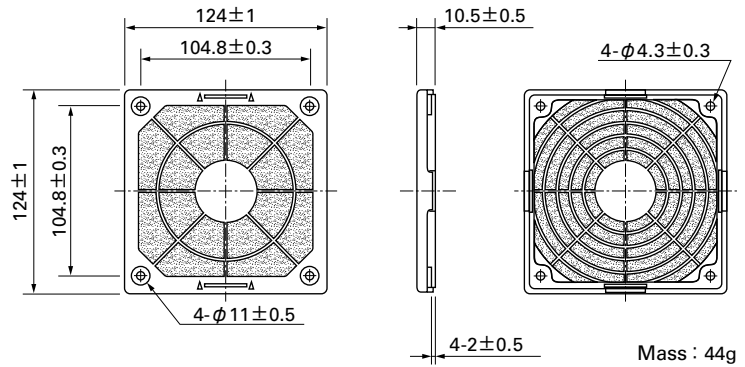
**Resin Finger Guards**

Model : 109-1000G



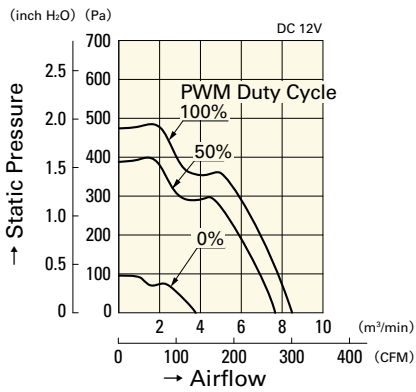
**Resin Filter Kits**

Model : 109-1000F13 (13PPI), 109-1000F20 (20PPI)  
 : 109-1000F30 (30PPI), 109-1000F40 (40PPI)



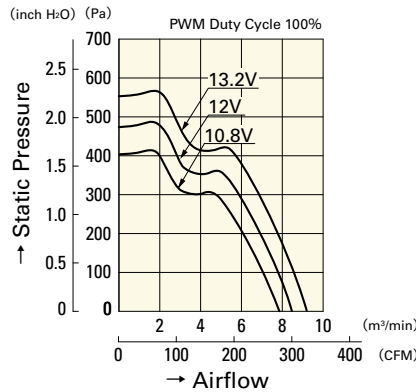
**Airflow - Static Pressure Characteristics**

**PWM Duty Cycle**



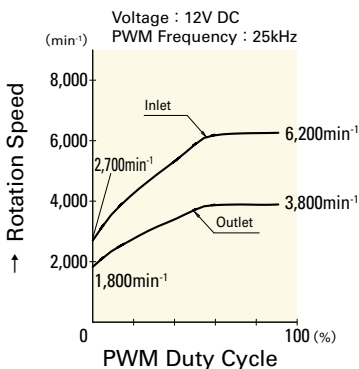
**9CR1212P0G03**

**Operating Voltage Range**



**9CR1212P0G03**

**PWM Duty Speed Characteristics Example**



**9CR1212P0G03**