

4

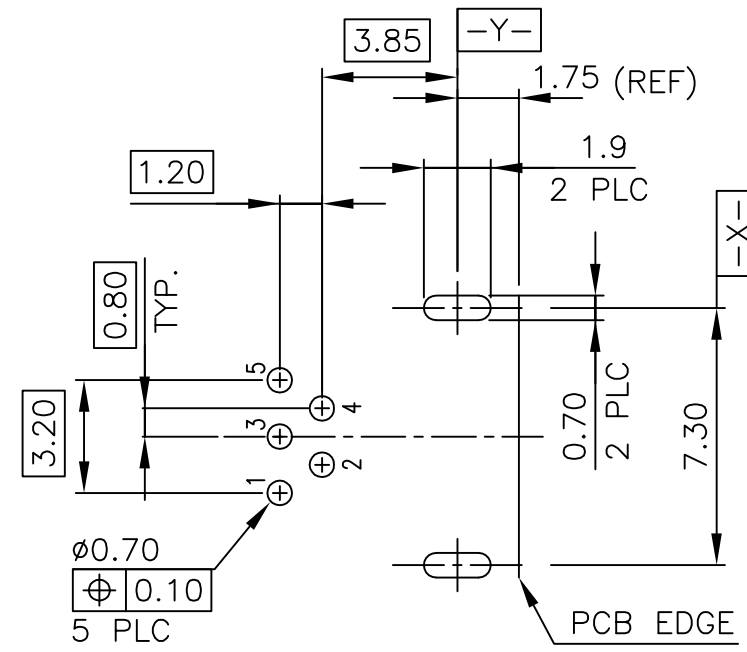
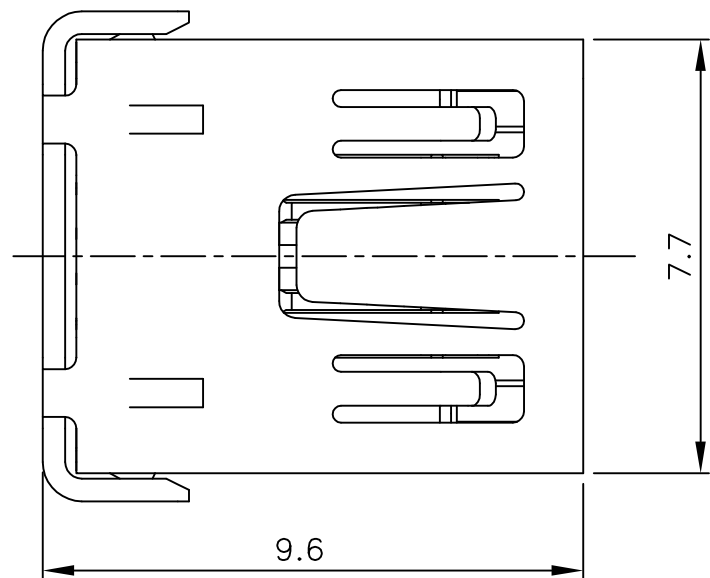
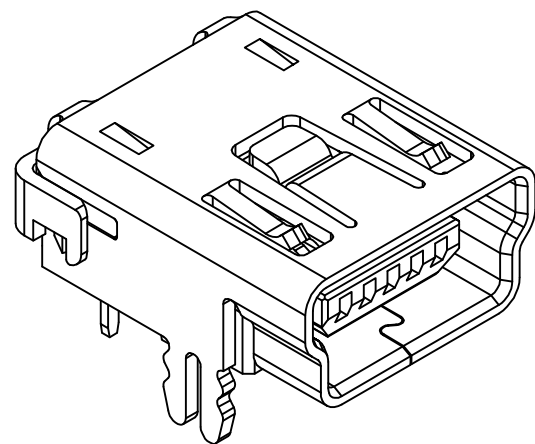
3

2

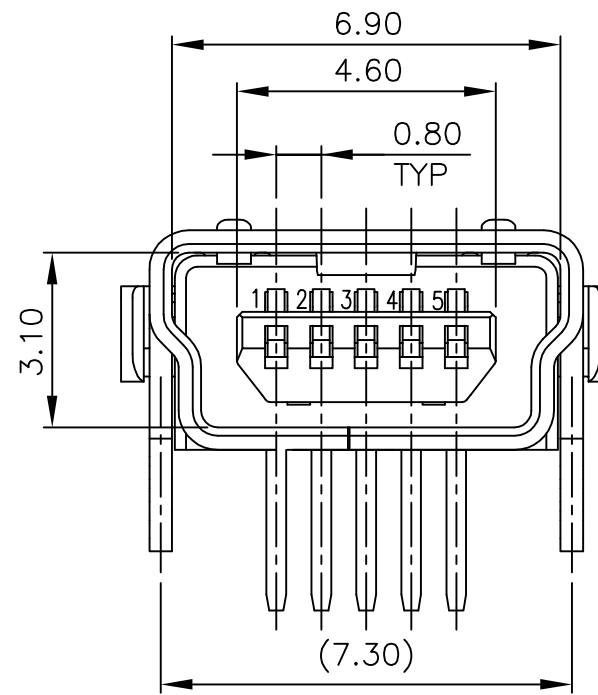
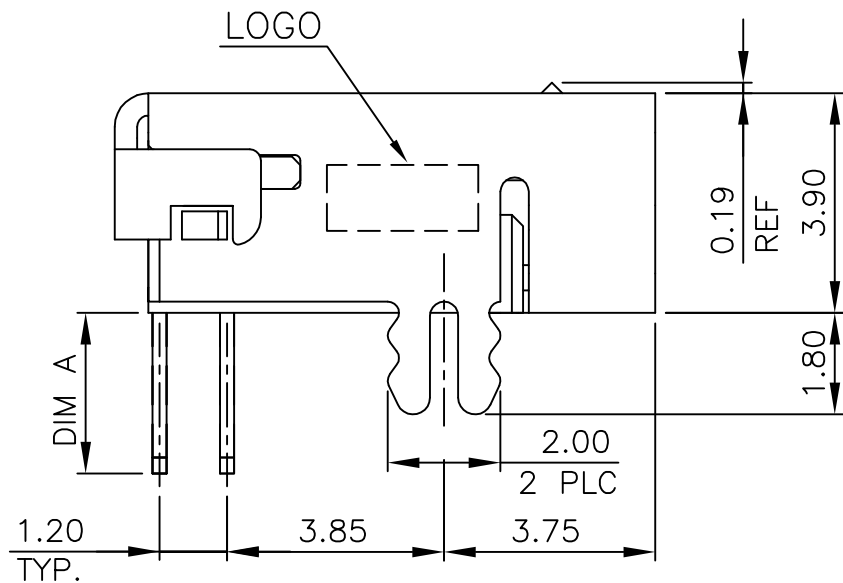
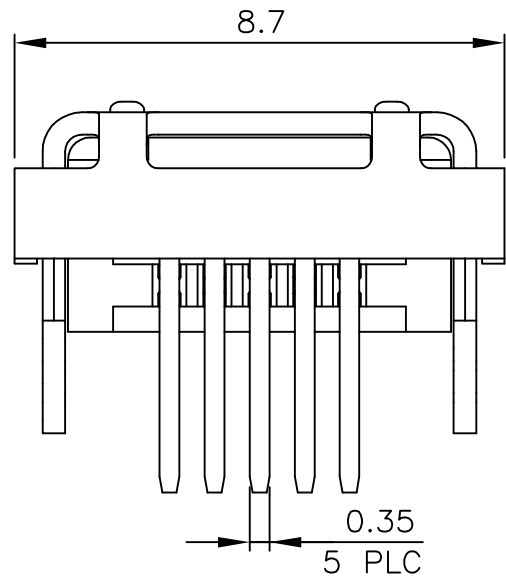
1

THIS DRAWING IS UNPUBLISHED. RELEASED FOR PUBLICATION AUG ,2006.
 © COPYRIGHT BY TYCO ELECTRONICS CORPORATION. ALL RIGHTS RESERVED.

LOC	DIST	REVISIONS			
P	LTR	DESCRIPTION	DATE	DWN	APVD
DW		C	REVISED SHELL MATERIAL	18MAY2016	B.L J.L



RECOMMENDED PCB LAYOUT (THICKNESS: 1.6MM)
 (DIMENSION TOLERANCE: 1 PLC: ±0.1 2PLC: ±0.05)



3.25	⚠	PBT	1-1734510-1
2.55	⚠	PBT	1734510-3
2.85	⚠	PA9T	1734510-2
2.85	⚠	PBT	1734510-1
DIM A	SOLERING PROCESS	HOUSING MATERIAL	PART NUMBER

NOTE:
 1. MATERIAL:
 HOUSING: (SEE TABLE) WITH 30% GF, UL 94V-0, COLOR BLACK.
 CONTACT: PHOSPHOR BRONZE, THICKNESS: 0.25mm.
 SHIELD: SUS304, THICKNESS: 0.40mm.
 2. FINISH:
 CONTACT: GOLD FLASH OVER
 0.762um [30u"] MIN. PALLADIUM-NICKEL PLATED ON CONTACT AREA,
 2.54um [100u"] MIN. MATTE TIN PLATED ON SOLDERTAILS,
 1.27um [50u"] MIN. NICKEL UNDERPLATED ALL OVER.
 SHIELD: 0.762um [30u"] MIN. MATTE TIN OVER 1.27um [50u"] MIN. Ni.
 UNDERPLATED ALL OVER.
 ⚠ WAVE SOLDER CAPABLE TO 240°C. PER TE SPEC 109-202, CONDITION A.
 ⚠ WAVE SOLDER CAPABLE TO 265°C PER TE SPEC 109-202, CONDITION B.

THIS DRAWING IS A CONTROLLED DOCUMENT.		DWN	S. CHIEN	20JAN2009	TE Connectivity	
		CHK	S. CHIEN	20JAN2009		
		APVD	W. KODAMA	20JAN2009	NAME	
		PRODUCT SPEC			108-57062	MINI USB CONN., RCPT R/A, DIP, B TYPE
		QUALIFICATION TEST REPORT			501-57070	RESTRICTED TO
		WEIGHT			0.62 GRAMS	SIZE
		CUSTOMER DRAWING			A300779	CAGE CODE
					C=1734510	DRAWING NO
					SCALE	SHEET
					1 of 2	REV
					C	

4

3

2

1

THIS DRAWING IS UNPUBLISHED.

RELEASED FOR PUBLICATION

AUG ,2006.

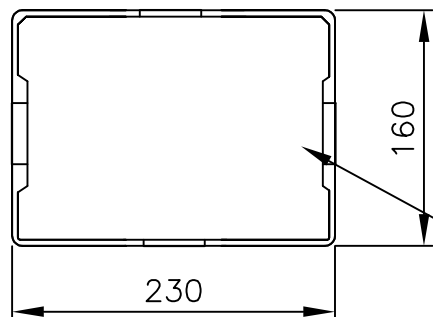
© COPYRIGHT BY TYCO ELECTRONICS CORPORATION. ALL RIGHTS RESERVED.

LOC DW

DIST

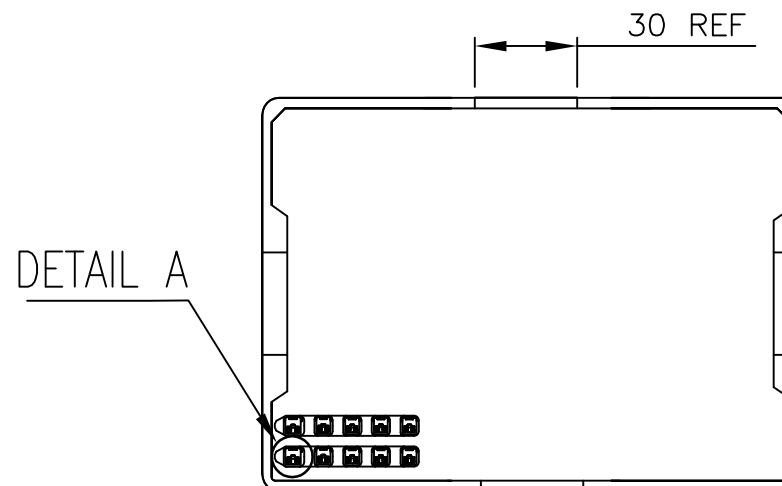
REVISIONS

P	LTR	DESCRIPTION	DATE	DWN	APVD
		SEE SHEET 1.			

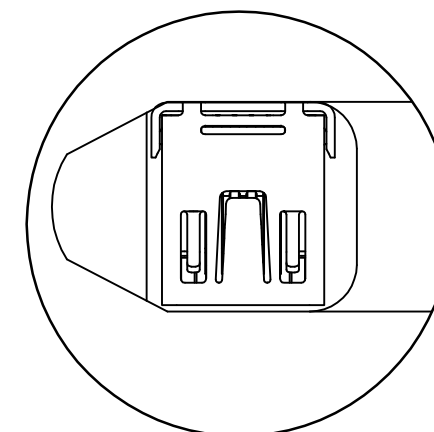


TARY

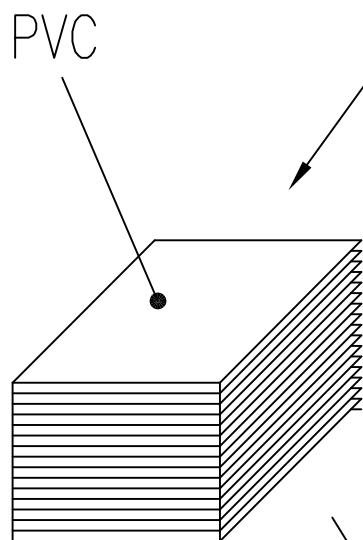
TOTAL: 95 PCS.
NET WEIGHT: 3.50 KGS.



HEIGHT : 8mm

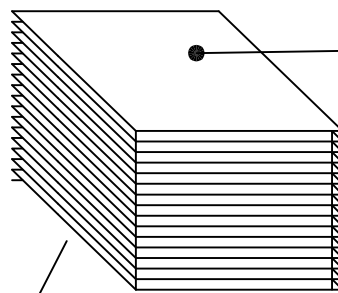
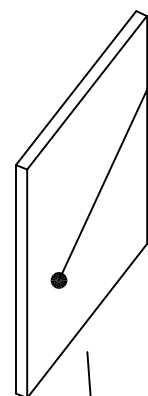


DETAIL A

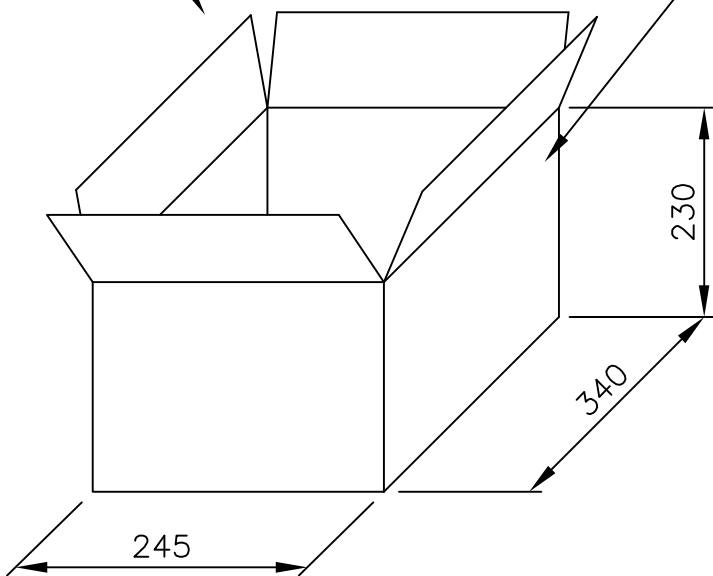


PVC

PAPER BOARD



PVC



CARTON

TOTAL: 4370 PCS.
GROSS WEIGHT: 6.20 KGS.

THIS DRAWING IS A CONTROLLED DOCUMENT.		DWN		TE Connectivity	
DIMENSIONS: MM		CHK			
TOLERANCES UNLESS OTHERWISE SPECIFIED:		APVD		NAME	
0 PLC ± -		PRODUCT SPEC		MINI USB CONN., RCPT R/A, DIP, B TYPE	
1 PLC ± -		APPLICATION SPEC		SIZE	
2 PLC ± -		WEIGHT		CAGE CODE	
3 PLC ± -		CUSTOMER DRAWING		DRAWING NO	
4 PLC ± -		SCALE		RESTRICTED TO	
ANGLES ± -		SHEET		A3 00779	
MATERIAL		REV		C=1734510	
FINISH		2 of 2		REV C	